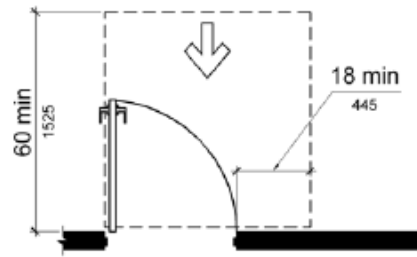
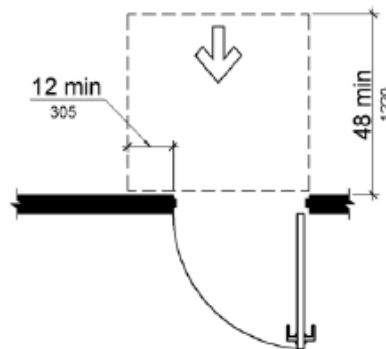


ISD 202 – Door Swing Reference

ADA Compliance

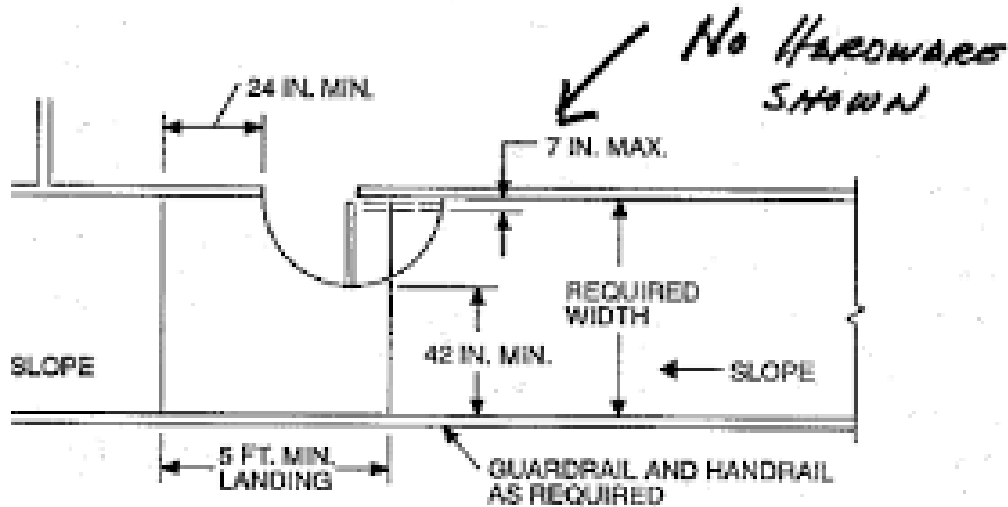


(a)  
front approach, pull side



(c)  
front approach, push side, door  
provided with both closer and latch

Egress into Hallway



INTERMEDIATE RAMP LANDINGS

FIGURE 1003-29